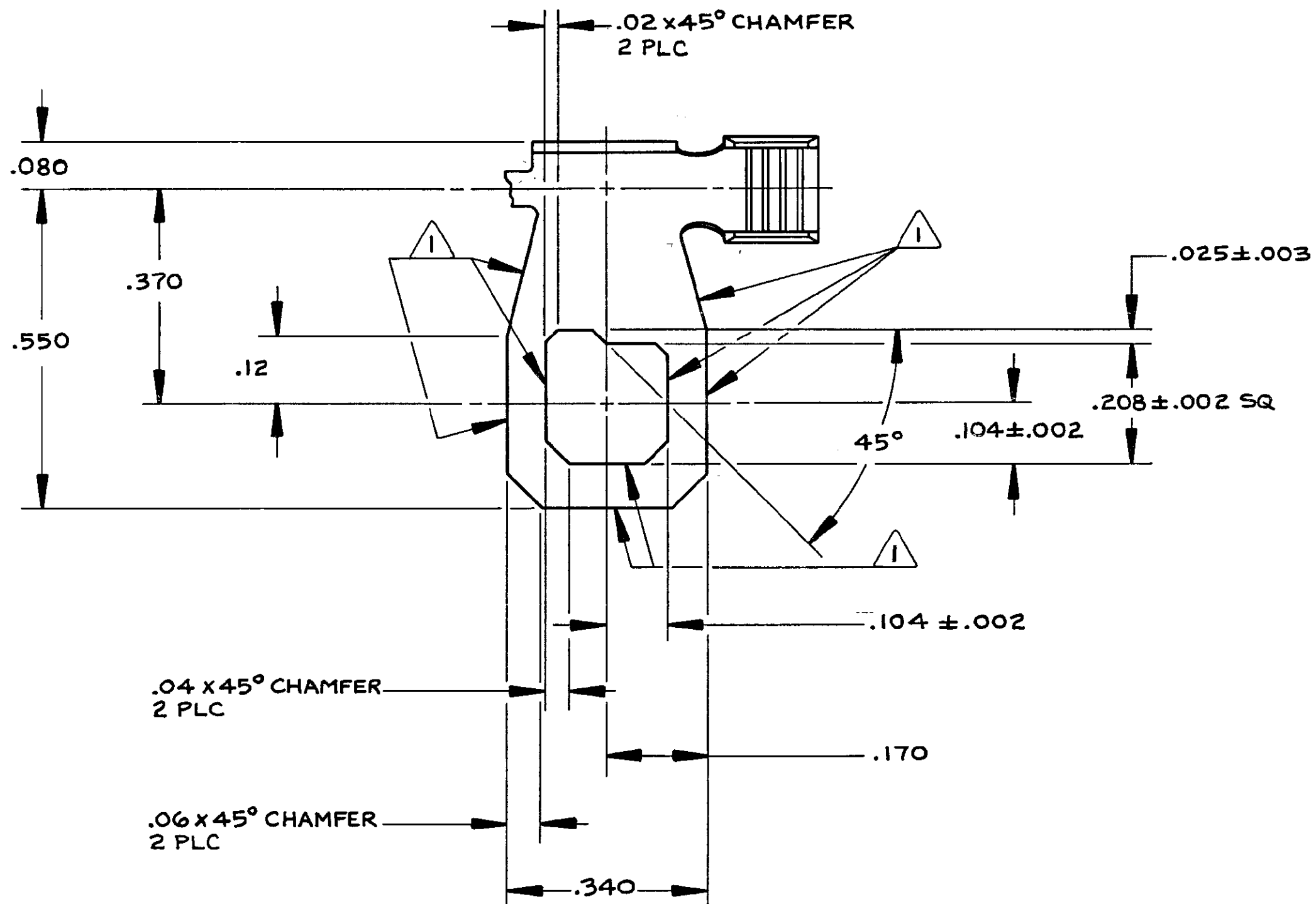
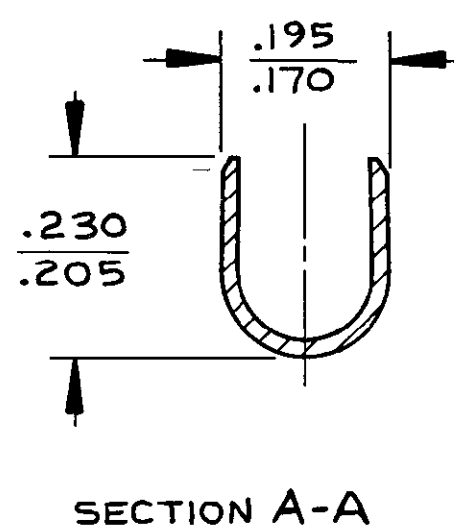
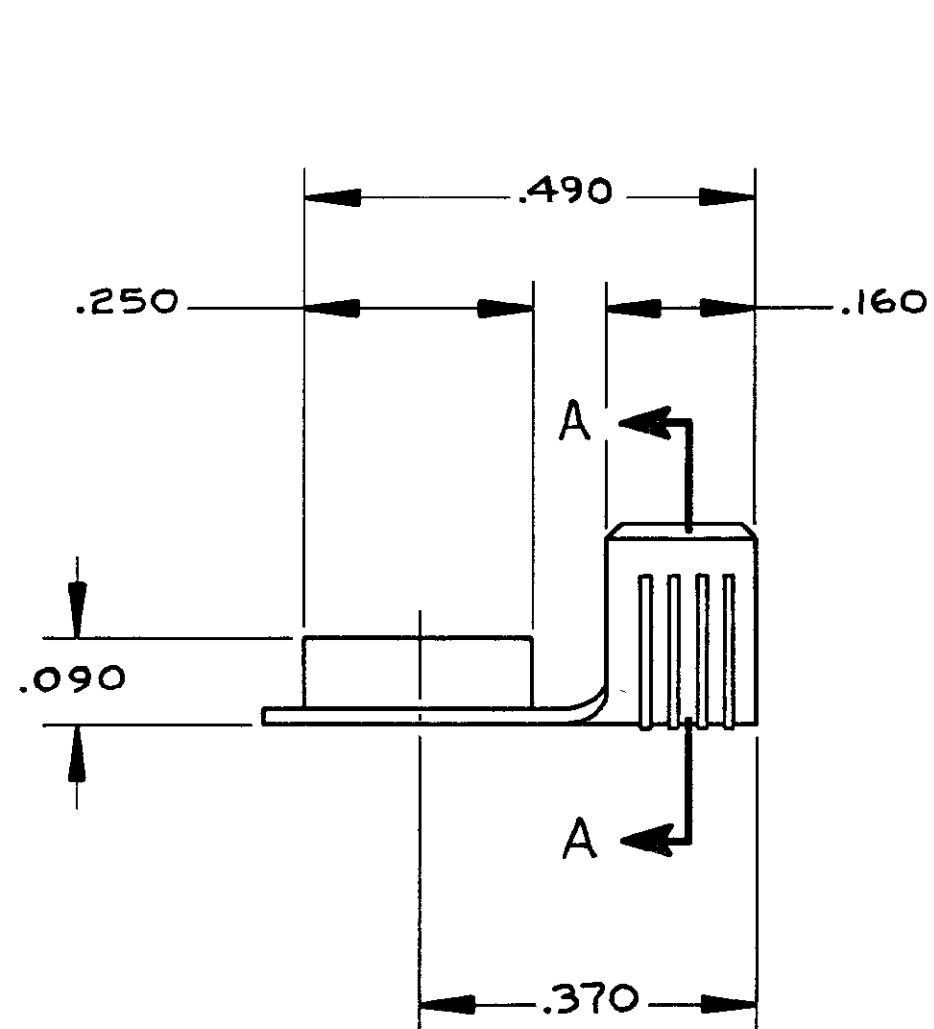


THIS DRAWING IS UNPUBLISHED. RELEASED FOR PUBLICATION, 19
 © COPYRIGHT 19 BY AMP INCORPORATED, HARRISBURG, PA. ALL INTERNATIONAL RIGHTS RESERVED. AMP PRODUCTS MAY BE COVERED BY U.S. AND FOREIGN PATENTS AND/OR PATENTS PENDING.

LOC	DIST	REVISIONS				
P	F	ZONE	LTR	DESCRIPTION	DATE	APPD
AF	50					
		C		RELEASED - 3 PER PRCM 87-83 &	8-6-87	ST
				REDRAWN PER STANDARDS		REN
		D		REV PER 0710-0427-95	2/24/95	PME



△ AREAS INDICATED HAVE MAXIMUM BURR HEIGHT OF .001 ON BOTH SIDES.



BRIGHT TIN	61016-3
MATTE TIN	61016-1
FINISH	PART NUMBER

UNLESS OTHERWISE SPECIFIED DIMENSIONS ARE IN INCHES TOLERANCES ON		AMP AMP INCORPORATED Harrisburg, Pa. 17105	
2 PL DEC ± .01	DR	NAME	
3 PL DEC ± .015	CHK <i>S. James</i> 8-6-87	FLAG TONGUE	
ANGLES ± 1° 0'	APPD <i>Prullachington</i> 8.10.87	SIZE	FSCM NO
MATERIAL	APPD <i>Don N. Crane</i> 11 Apr 87	C	00779
BRASS 4HD	PRODUCT SPEC	SCALE	DRAWING NO
FINISH	APPLICATION SPEC	5:1	61016
SEE TABLE	WEIGHT	SHEET 1 OF 1	